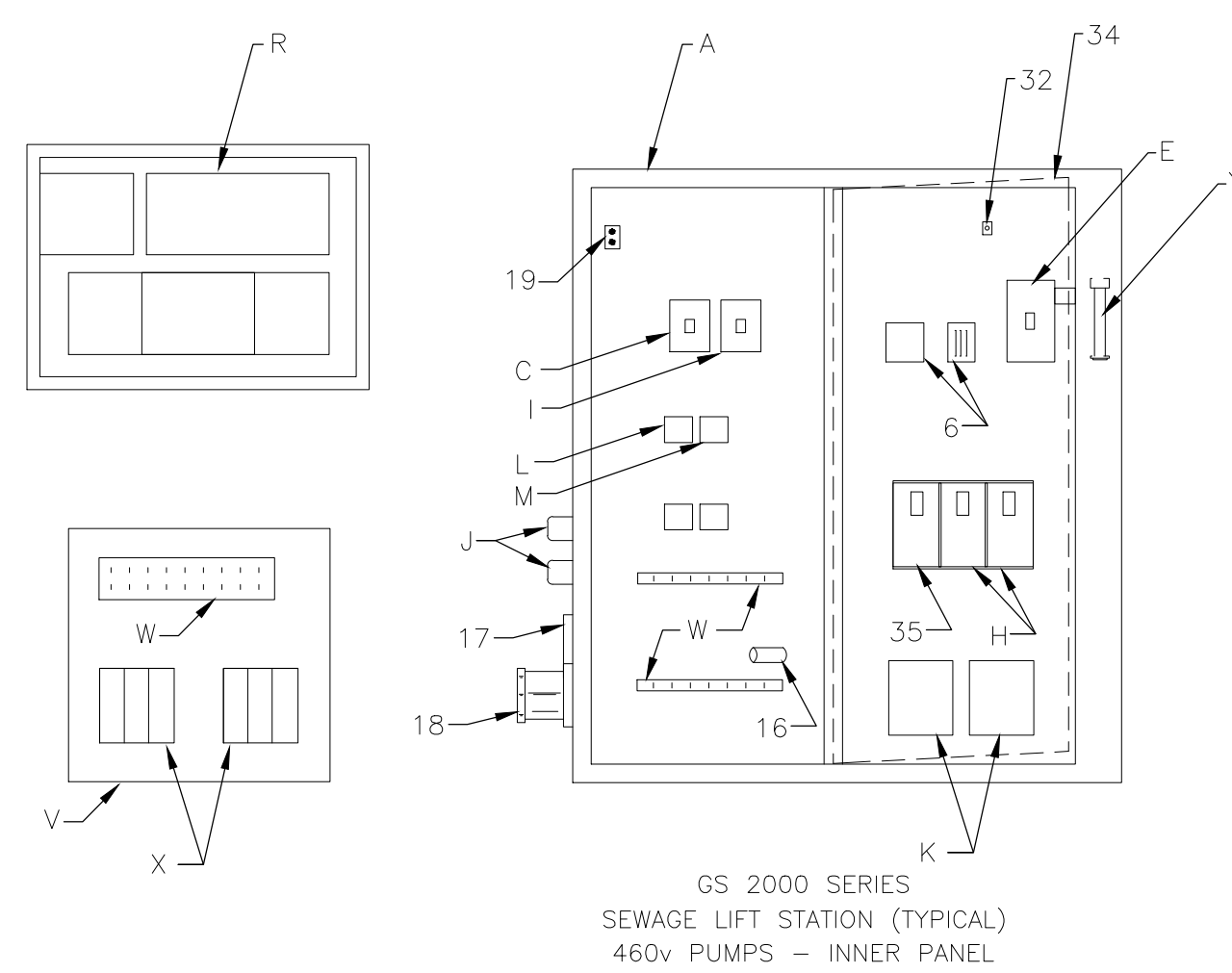
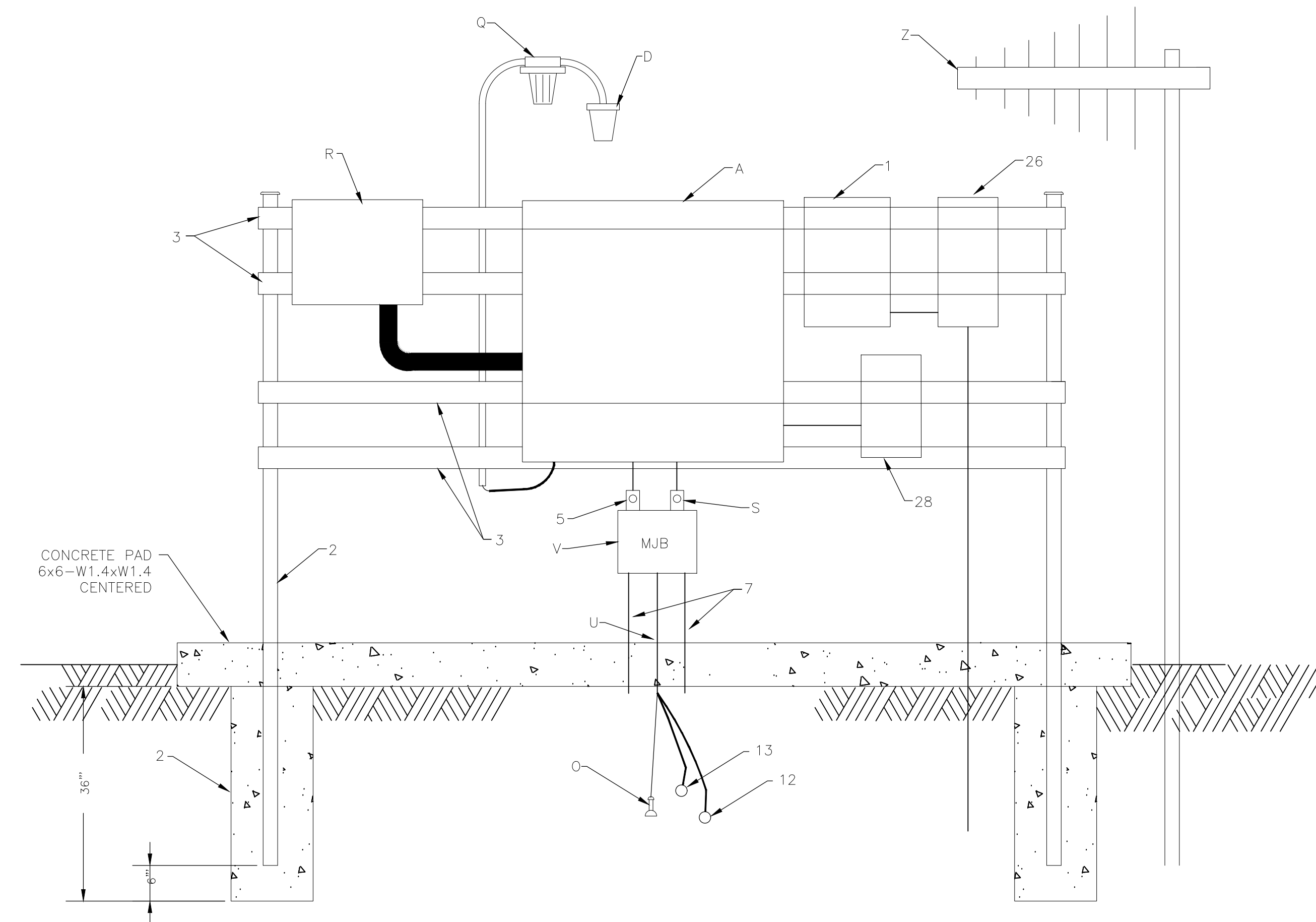


460vac CONTROL PANEL ELEVATION  
N.T.S.



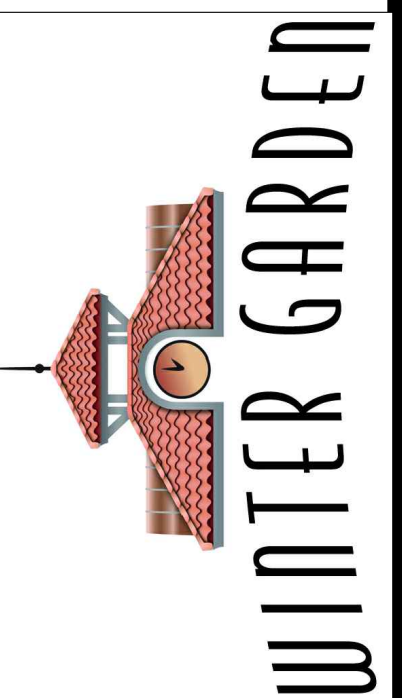
- A. PANEL ENCLOSURE NEMA 4x, 304 STAINLESS STEEL (30x26x8 IN)
- B. LS150 PLC/RTU CONTROL PACKAGE
- C. GFI/AREA LIGHT CIRCUIT BREAKER
- D. AREA LIGHT
- E. MAIN PANEL CIRCUIT BREAKER (480v)
- F. GENERATOR RECEPTACLE (Pyle National JRE 4100)
- G. SURGE ARRESTOR
- H. MOTOR CIRCUIT BREAKERS (230v)
- I. CONTROL CIRCUIT BREAKER (120v)
- J. SELECTOR SWITCHES (ALLEN-BRADLEY KEYED)
- K. MOTOR STARTERS (SIEMENS HD)
- L. CONTROL RELAY (11 PIN)
- M. CONTROL RELAY (8 PIN)
- N. ALARM TD RELAY (8 PIN)
- O. TRANSDUCER ASSEMBLY
- P. STARTER TD RELAY (8 PIN) OVER 30 HP DUPLEX
- Q. ALARM LIGHT (Red)
- R. RTU ENCLOSURE
- T. VHF ANTENNA
- 1. METER BASE
- 2. 2in GALV PIPE W/CAPS AND BASE ANCHORED IN CONC
- 3. 1 5/8in SQ. STEEL CHANNEL W/ PIPE CLAMPS & RUBBER ENDS CAPS
- 4. 1/2in RIGID GALV PIPE
- 5. 2 in SEAL OFF
- 6. PHASE MONITOR AND SUPPRESSOR FUSES WITH BLOCK (500V)
- 7. 2 in PVC SCH 80 CONDUITS (PUMP CORDS))
- 8. NOT USED
- 9. PUMP CORD AND SENSOR ENTRANCE INTO WET WELL
- 10. MAIN DISCONNECT/TRANSFER SWITCH
- 11. PVC AIR TUBE GUIDE, NM STRAPS & ANCHORS W/ STAINLESS SCREWS
- 12. LOW LIMIT BALL
- 13. HIGH LIMIT ALARM BALL
- 14. NOT USED
- 15. NOT USED
- 16. ALARM LIGHT FLASHER UNIT
- 17. AREA LIGHT SWITCH (W.P. FLUSH)
- 18. G.T.C.I. RECEPTACLE (W.P. BOX AND COVER)
- 19. CONTROL (X-2) LUG
- 20. 1 1/4in OR 1 1/2in PVC SCH 80 CONDUIT
- 21. 1 1/4in OR 1 1/2in PVC SCH 40 CONDUIT
- 22. 1/2in PVC SCH 40 CONDUIT
- 23. #4 BSD CU WIRE
- 24. 5/8in X 8ft GALV GROUND RODS
- 25. SERVICE ENTRANCE CABLE (See Spec Sheet)
- 26. 600v 100amp NF 3P SAFETY SWITCH
- 27. MAIN DISCONNECT 3R SINGLE BREAKER IN ENCLOSURE
- 28. 2KVA 230v X 120v TRANSFORMERS DRY (control & lighting)
- 29. 75KVA 460v X 230v 3ph TRANSFORMER
- 30. BUCK/BOOST TRANSFORMERS DRY 12/24v X240/480v
- 31. TYPE 3R WIRE TROUGH
- 32. EQUIPMENT GROUND LUG
- 34. DEAD FRONT INNER DOOR W/BARRIER (ALUMINUM) 460v SIDE ONLY
- 35. CIRCUIT BREAKER FOR LIGHTING & CONTROL TRANSFORMER (480V)

WINTER GARDEN STANDARDS INCORPORATED WITH DESIGN ENGINEERS DOCUMENTS:

THE DETAILS, NOTES AND SPECIFICATIONS SHOWN ON THIS SHEET REPRESENT THE NOTED STANDARDS OF THE CITY OF WINTER GARDEN FOR CONSTRUCTION OF PUBLIC WORKS AND UTILITY INFRASTRUCTURE. BY INCLUDING THE STANDARDS, THE DESIGN ENGINEER HAS ACKNOWLEDGED THAT THEY ARE EFFECTIVE TO THE PROJECT AND THAT DETAILS, NOTES, OR SPECIFICATIONS ARE AS PROVIDED BY THE CITY AND HAVE NOT BEEN REVISED OR MODIFIED WITHOUT WRITTEN APPROVAL FROM THE CITY ENGINEER OR UTILITY DIRECTOR.

No.	ITEM	DATE
1	Control Panel & Notes	4/4/14

CITY OF WINTER GARDEN, FLORIDA  
STANDARDS AND SPECIFICATIONS



STANDARD DETAILS  
FOR  
LIFT STATION - ELECTRICAL  
460vac WYE

DATE  
JANUARY 2008  
SHEET

7