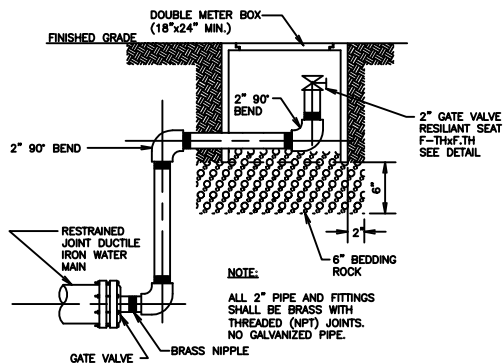


NOTES:

1. PIPE BEDDING: SELECT COMMON FILL COMPACTED TO 98% OF THE MAXIMUM DENSITY AS PER AASHTO T-180 AND CONTAINING NO MORE THAN 5% PASSING #200 SIEVE.
2. TRENCH BACKFILL: COMMON FILL COMPACTED TO 98% OF THE MAXIMUM DENSITY AS PER AASHTO T-180 AND CONTAINING NO MORE THAN 5% PASSING #200 SIEVE.
3. PIPE BEDDING UTILIZING SELECT COMMON FILL OR BEDDING ROCK IN ACCORDANCE WITH TYPE A BEDDING AND TRENCHING MAY BE REQUIRED AS DIRECTED BY THE CITY OF WINTER GARDEN.
4. (*): 15" MAX. FOR PIPE DIAMETER LESS THAN 24", AND 24" MAX. FOR PIPE DIAMETER 24" AND LARGER.
5. WATER SHALL NOT BE PERMITTED IN THE TRENCH DURING CONSTRUCTION.
6. ALL PIPE TO BE INSTALLED WITH BELL FACING UPSTREAM TO THE DIRECTION OF THE FLOW.
7. REFER TO SECTION 32.5 OF THE WINTER GARDEN MANUAL OF STANDARDS AND SPECIFICATIONS FOR UTILITIES CONSTRUCTION FOR SHEETING AND BRACING IN EXCAVATIONS.
8. FINAL RESTORATION IN IMPROVED AREAS SHALL BE IN COMPLIANCE WITH ALL APPLICABLE REGULATIONS OF GOVERNING AGENCIES. SURFACE RESTORATION WITHIN CITY OF WINTER GARDEN RIGHT-OF-WAY SHALL COMPLY WITH REQUIREMENTS OF RIGHT-OF-WAY UTILIZATION REGULATIONS AND ROAD CONSTRUCTION SPECIFICATIONS.

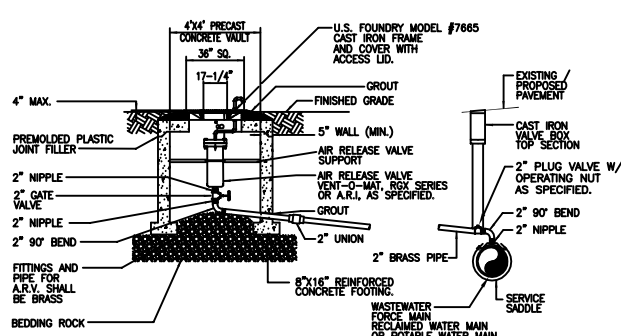
STANDARD BEDDING DETAIL

N.T.S.



BLOWOFF VALVE DETAIL

N.T.S.

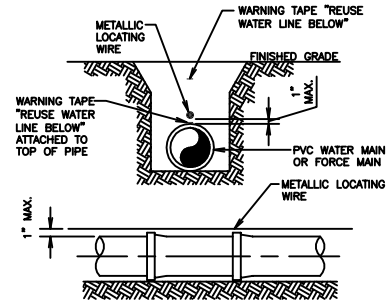


NOTES:

1. THE MINIMUM DIMENSION FROM TOP OF PIPE TO FINISHED GRADE SHALL BE 4.0 FEET.
2. DOUBLE STRAP SADDLE AND WRAP WITH TWO LAYERS OF WIDE PLASTIC OR POLY TAPE WITH STAINLESS STEEL STRAP.
3. PIPE INSTALLATION SHALL BE SUCH THAT THE A.R.V. IS LOCATED AT THE HIGHEST POINT IN THE RESPECTIVE SEGMENT.
4. INTERIOR AND EXTERIOR CONCRETE SURFACES SHALL RECEIVE PROTECTIVE COATING AS SPECIFIED FOR VALVE VAULTS.
5. CAST IRON FRAME, COVER AND ACCESS LID SHALL BE INSTALLED FLUSH WITH FINISHED GRADE.
6. COVER SHALL READ "WINTER GARDEN UTILITIES DIVISION, "SEWER" "RECLAIMED WATER OR POTABLE WATER".
7. NO GALVANIZED PIPE/VALVES.

OFFSET TYPE AIR RELEASE VALVE ASSEMBLY

N.T.S.

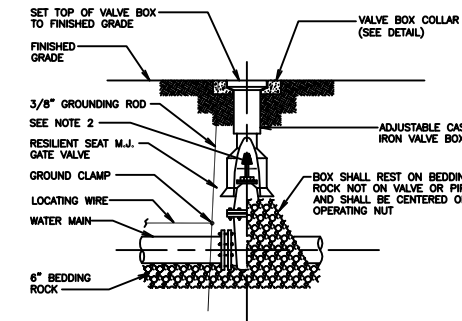


NOTES:

1. PVC PIPE SHALL REQUIRE INSULATED METALLIC LOCATING WIRE (10 GAUGE COPPER) CAPABLE OF DETECTION BY A CABLE LOCATOR AND SHALL BE ATTACHED TO THE TOP OF PIPE WITH DUCT TAPE AT LEAST 5 TIMES PER JOINT.
2. LOCATING ROD SHALL TERMINATE AT THE TOP OF EACH VALVE BOX AND BE CAPABLE OF EXTENDING ABOVE TOP BOX 1/2" SO AS NOT TO INTERFERE WITH VALVE OPERATION.

PVC PIPE LOCATING WIRE DETAIL

N.T.S.

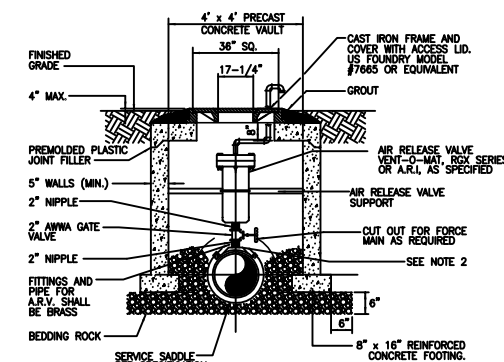


NOTES:

1. PVC EXTENSIONS SHALL NOT BE USED ON VALVE BOX INSTALLATION.
2. THE ACTUATING NUT FOR DEEPER VALVES SHALL BE EXTENDED TO COME UP TO 4 FOOT DEPTH BELOW FINISHED GRADE.

GATE VALVE AND VALVE BOX DETAIL

N.T.S.

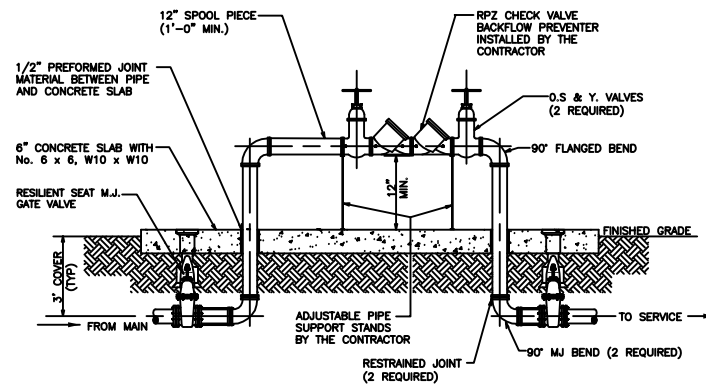


NOTES:

1. THE MINIMUM DIMENSION FROM TOP OF PIPE TO FINISHED GRADE SHALL BE 3.0 FEET.
2. DOUBLE STRAP SADDLE AND WRAP WITH TWO LAYERS OF WIDE PLASTIC OR POLY TAPE WITH STAINLESS STEEL STRAP.
3. PIPE INSTALLATION SHALL BE SUCH THAT THE A.R.V. IS LOCATED AT THE HIGHEST POINT IN THE RESPECTIVE SEGMENT.
4. INTERIOR AND EXTERIOR CONCRETE SURFACES SHALL RECEIVE PROTECTIVE COATING AS SPECIFIED FOR VALVE VAULTS.
5. CAST IRON FRAME, COVER AND ACCESS LID SHALL BE INSTALLED FLUSH WITH FINISHED GRADE.
6. COVER SHALL READ "WINTER GARDEN UTILITIES DIVISION AND "RECLAIMED WATER".
7. NO GALVANIZED PIPE/VALVES.

RECLAIMED WATER AIR RELEASE VALVE AND VAULT

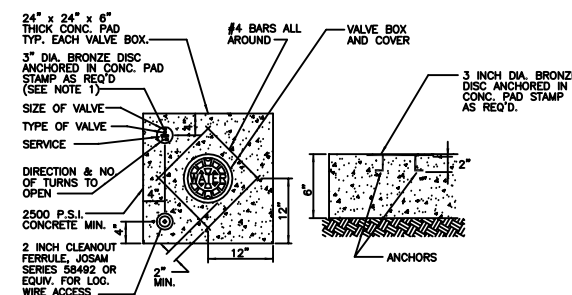
N.T.S.



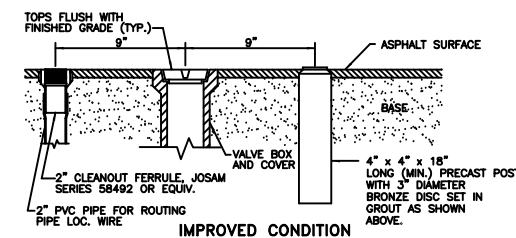
NOTES:

1. ALL PIPE AND FITTINGS 2" AND SMALLER SHALL BE THREADED SCHEDULE 80 PVC. NO GALVANIZED PIPE ALLOWED.
2. ALL PIPE LARGER THAN 2 INCH SHALL BE FLANGED DUCTILE IRON PIPE.
3. RECLAIMED WATER UNDER SHALL BE SIZE ON N.T.S.

RECLAIMED WATER BUMPER CONNECTION



UNIMPROVED CONDITION



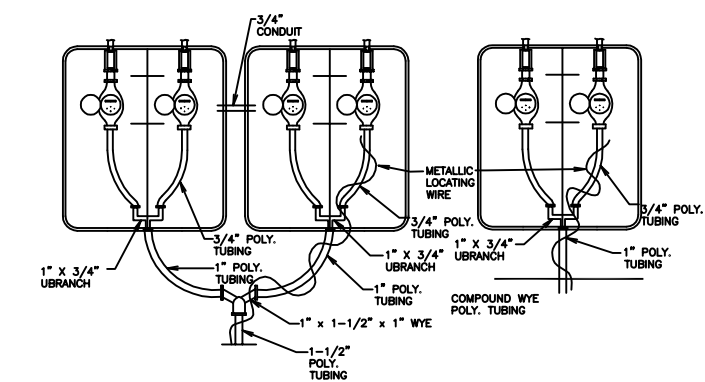
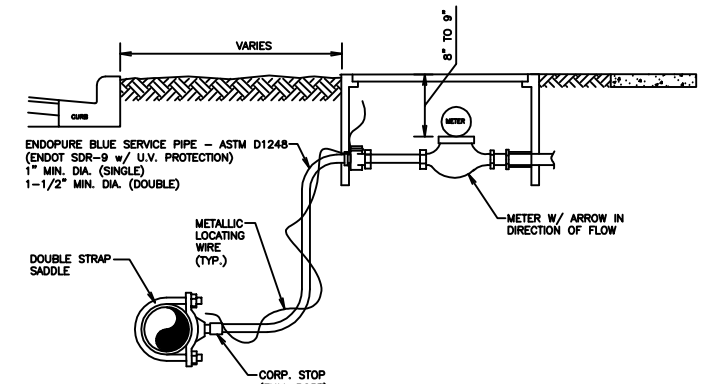
IMPROVED CONDITION

- NOTES:**
1. BRONZE IDENTIFICATION DISC SHALL BE REQUIRED FOR ALL VALVES.

VALVE BOX COLLAR

N.T.S.

- NOTES:**
1. BRONZE IDENTIFICATION DISC SHALL BE REQUIRED FOR ALL VALVES. PROVIDE SIZE, TYPE, SERVICE, DIRECTION AND TURNS TO OPEN STAMPED ON DISC. DISC SHALL BE 3" MINIMUM.



DOUBLE SERVICE (TOP VIEW) SINGLE SERVICE (TOP VIEW)

N.T.S.

NOTES:

1. ALL FITTINGS SHALL BE BRAS WITH COMPRESSION/PACK JOINT CONNECTIONS.
2. NO SERVICE LINE SHALL TERMINATE UNDER A DRIVEWAY. METER OR METER BOX SHALL NOT BE LOCATED IN SIDEWALK OR PAVED AREAS.
3. EACH SERVICE SHALL TERMINATE IN A METER BOX ASSEMBLY, WHICH SHALL BE PLACED TO GRADE IN THE RIGHT-OF-WAY AT THE PROPERTY LINE(S) OF THE LOT(S) TO BE SERVED.
4. THE CONTRACTOR SHALL BE RESPONSIBLE FOR CONSTRUCTION TO AND INCLUDING THE METER BOX ASSEMBLY. THE CITY SHALL FURNISH THE METER AND THE CONTRACTOR SHALL BE RESPONSIBLE FOR SETTING METER BOX ASSEMBLY TO FINISH GRADE AND MAKING ANY GRADE ADJUSTMENT TO METER BOX IF REGARDING OCCURS.
5. LOCATING WIRE ON POLY PIPE SHALL BE TAPED EVERY 5 FEET FROM METER BOX TO WATERMAN.
6. METER NIPPLE BEHIND SIDEWALK TO BE INSTALLED BY CONTRACTOR (H10094)

RECLAIMED WATER SINGLE AND DOUBLE SERVICE DETAIL

N.T.S.

WINTER GARDEN STANDARDS INCORPORATED WITH DESIGN ENGINEERS DOCUMENTS:
 THE DETAILS, NOTES AND SPECIFICATIONS SHOWN ON THIS SHEET REPRESENT THE NOTED STANDARDS OF THE CITY OF WINTER GARDEN FOR CONSTRUCTION OF PUBLIC WORKS AND UTILITY INFRASTRUCTURE. BY INCLUDING THE STANDARDS, THE DESIGN ENGINEER HAS ACKNOWLEDGED THAT THEY ARE EFFECTIVE TO THE PROJECT AND THAT DETAILS, NOTES, OR SPECIFICATIONS ARE AS PROVIDED BY THE CITY AND HAVE NOT BEEN REVISED OR MODIFIED WITHOUT WRITTEN APPROVAL FROM THE CITY ENGINEER OR UTILITY DIRECTOR.

DATE	
ITEM	
No.	

City of Winter Garden, Florida
 STANDARDS AND SPECIFICATIONS
 For Utilities Construction



STANDARD DETAILS
 FOR
 RECLAIMED WATER SYSTEMS

City of Winter Garden Details 4. (Reuse).dwg