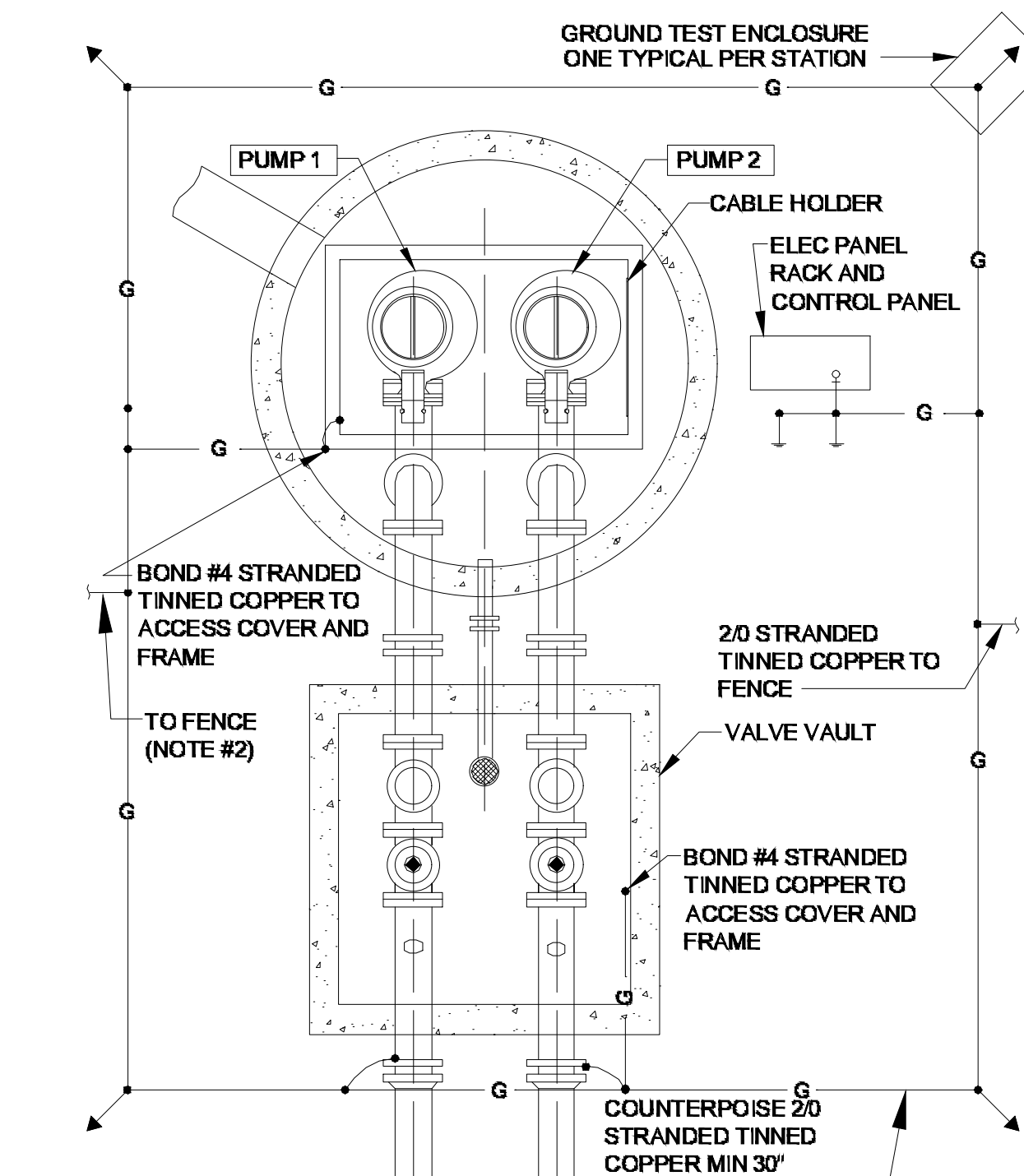


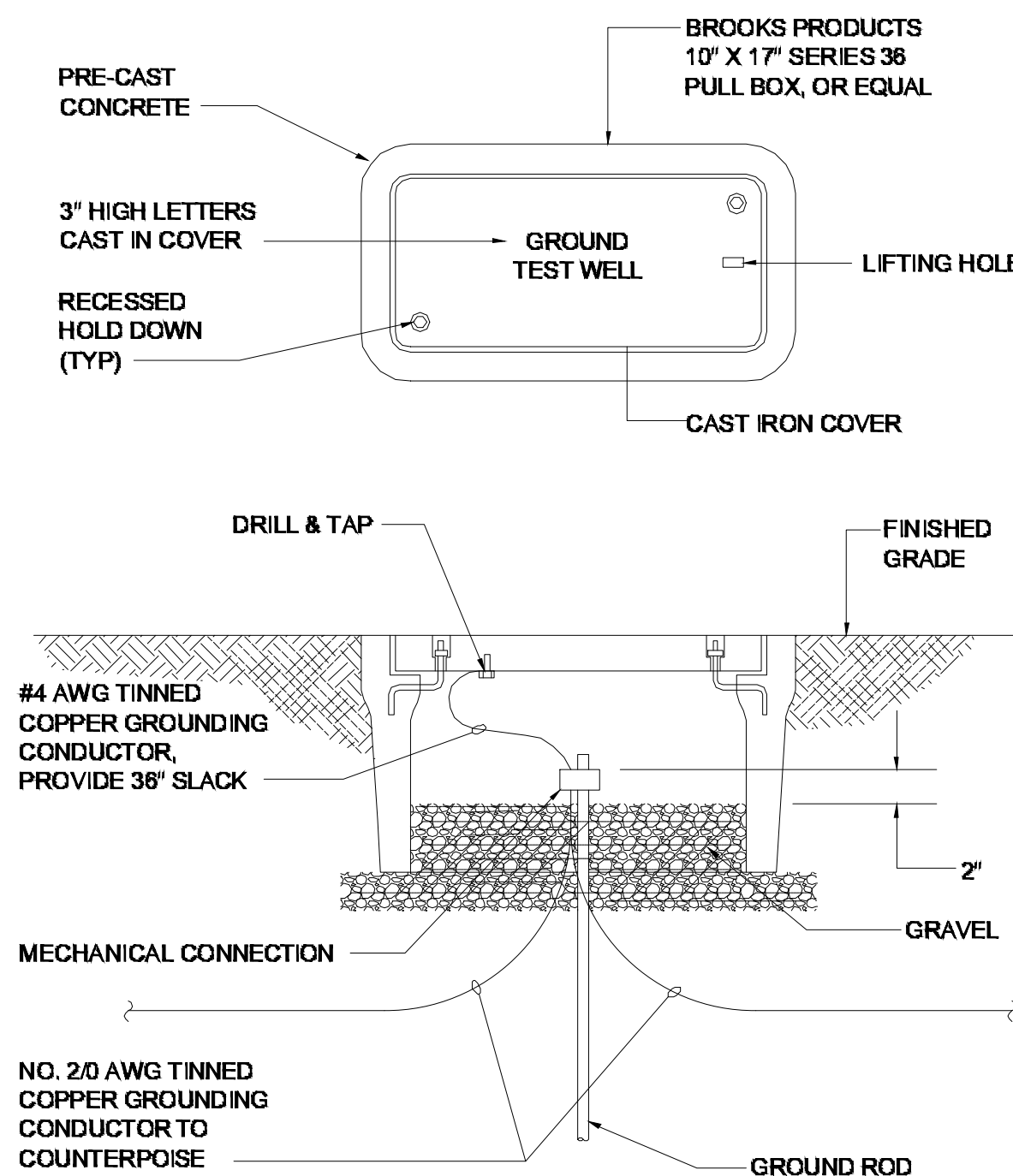
**LIFT STATION
EMERGENCY PUMP OUT**
N.T.S.

NOTE: ALL FITTINGS TO BE RESTRAINED AS REQUIRED.

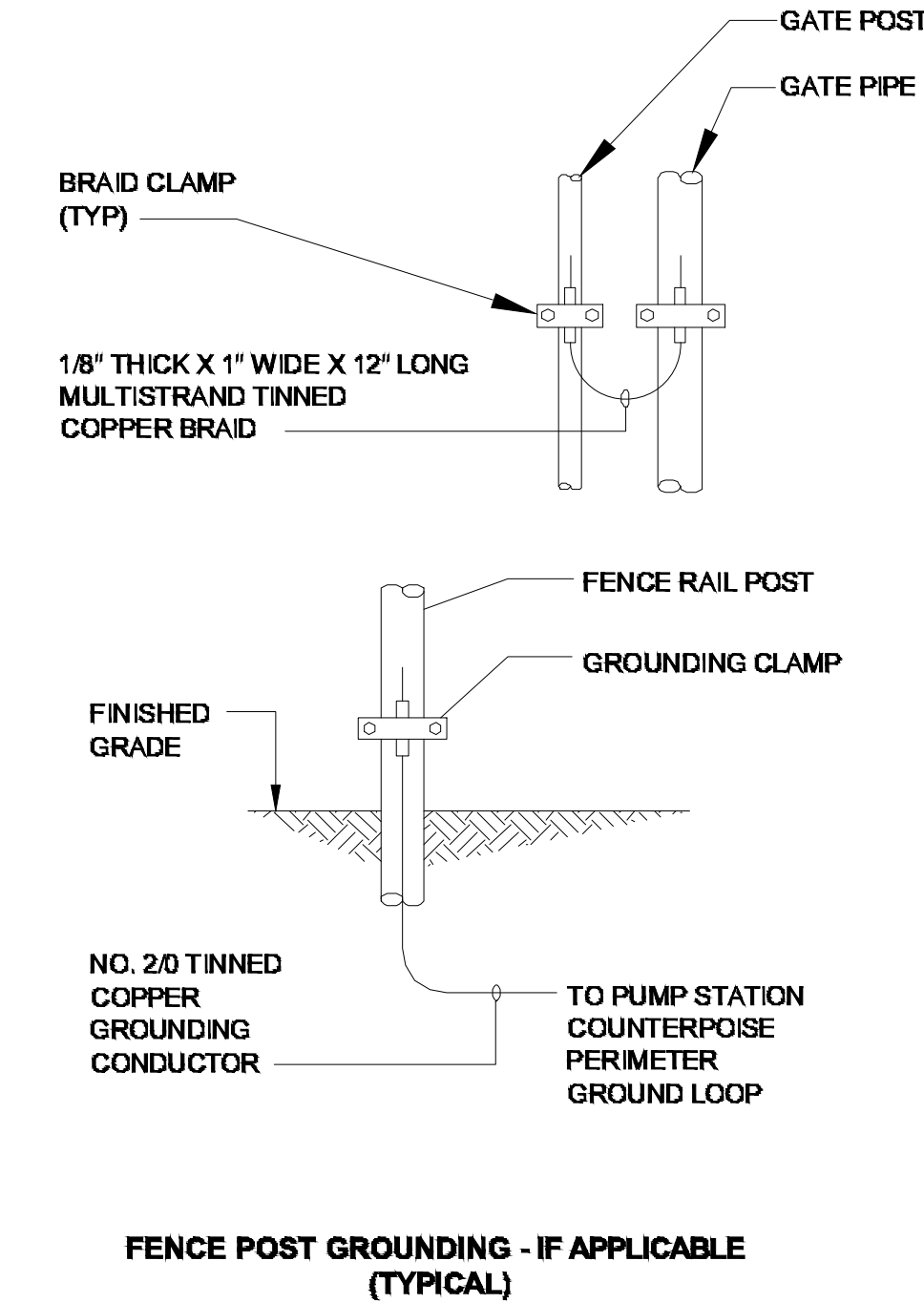


**PUMP STATION GROUNDING
(TYPICAL)**

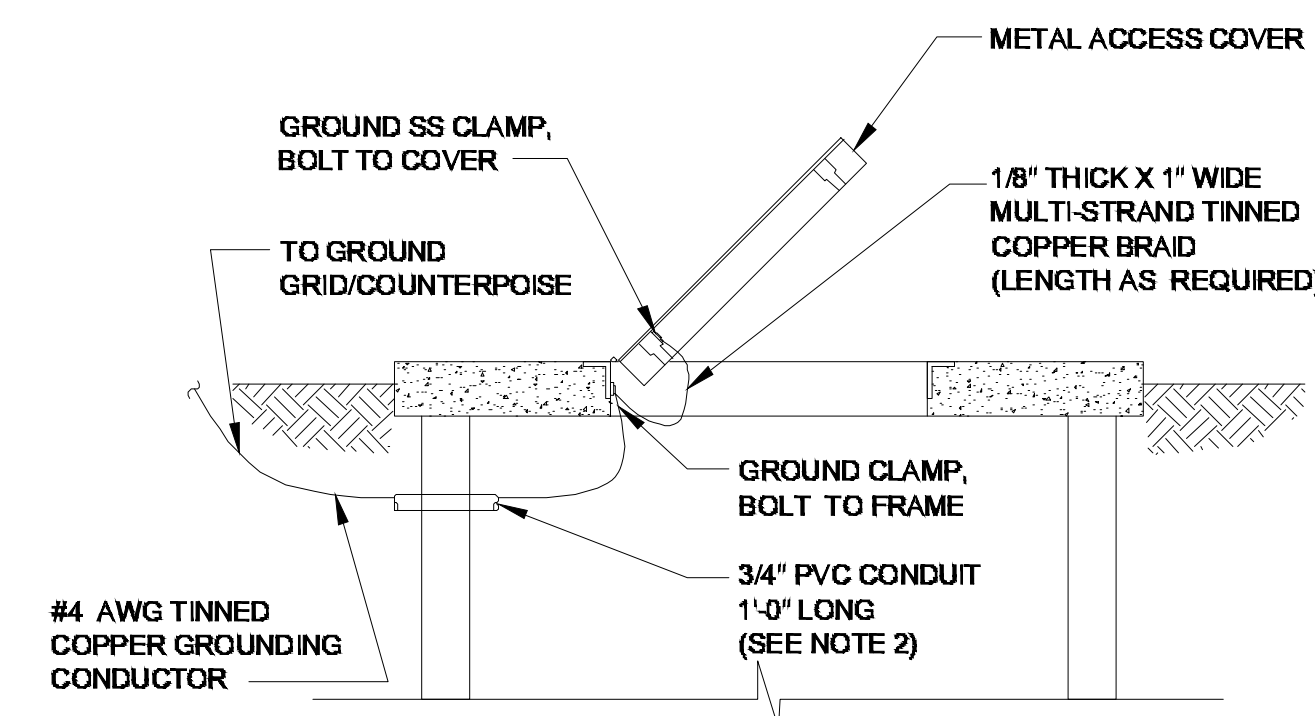
- NOTES:**
1. DETAIL IS GENERIC. SPECIFIC LOCATIONS OF EQUIPMENT MAY VARY.
 2. TIE TO FENCE, MINIMUM 2 LOCATIONS. NOT REQUIRED WHERE PVC COATED, BLOCK, OR WOOD FENCE IS INSTALLED.
 3. PROVIDE EXOTHERMIC WELDS UNLESS NOTED OTHERWISE.



GROUND TEST WELL



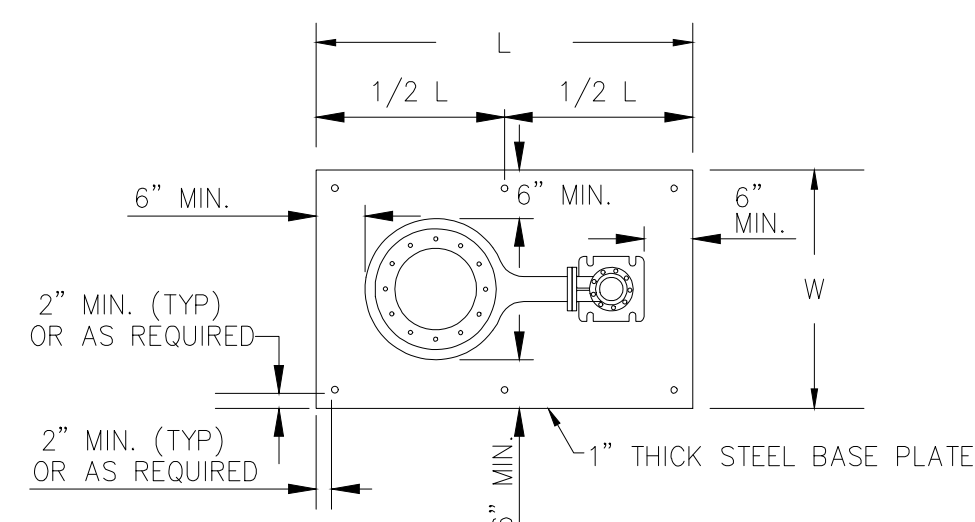
**FENCE POST GROUNDING - IF APPLICABLE
(TYPICAL)**



PUMP STATION GROUNDING DETAIL
N.T.S.

- NOTES:**
1. ON COVERS WITH MULTIPLE DOORS, PROVIDE BRAID FROM FRAME TO DOOR ON EACH DOOR PROVIDE WATERPROOF CAULKING WHERE GROUND CABLE AND CONDUIT PENETRATES WETWELL TO PREVENT INTRUSION OF GROUNDWATER AND ESCAPE OF VAPORS FROM WETWELL.
 2. INSTALL GROUND WIRE SO THAT IT WILL NOT CROSS CLEAR OPENING OR PREVENT OR IMPEDE NORMAL METHOD OF REMOVING FLOATS OR PUMPS.

COVER AND DOOR GROUNDING

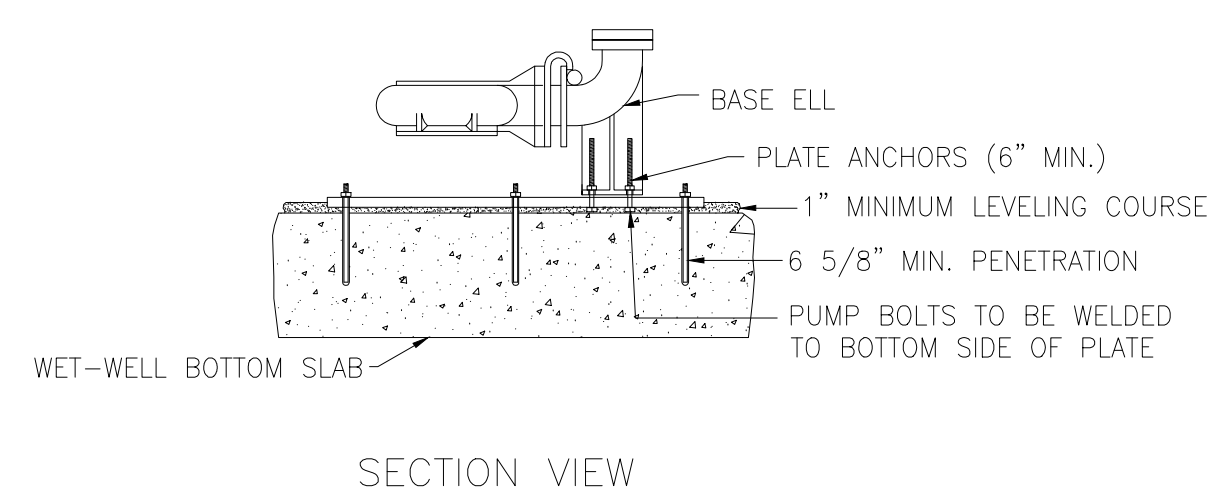


PUMP PLATE SIZING CHART

PUMP MODEL	LENGTH (IN)	WIDTH (IN)	# OF WETWELL PUMPS	Ø (IN)
*	*	*	*	*

* TO BE COMPLETED BY DESIGN ENGINEER

PLAN VIEW

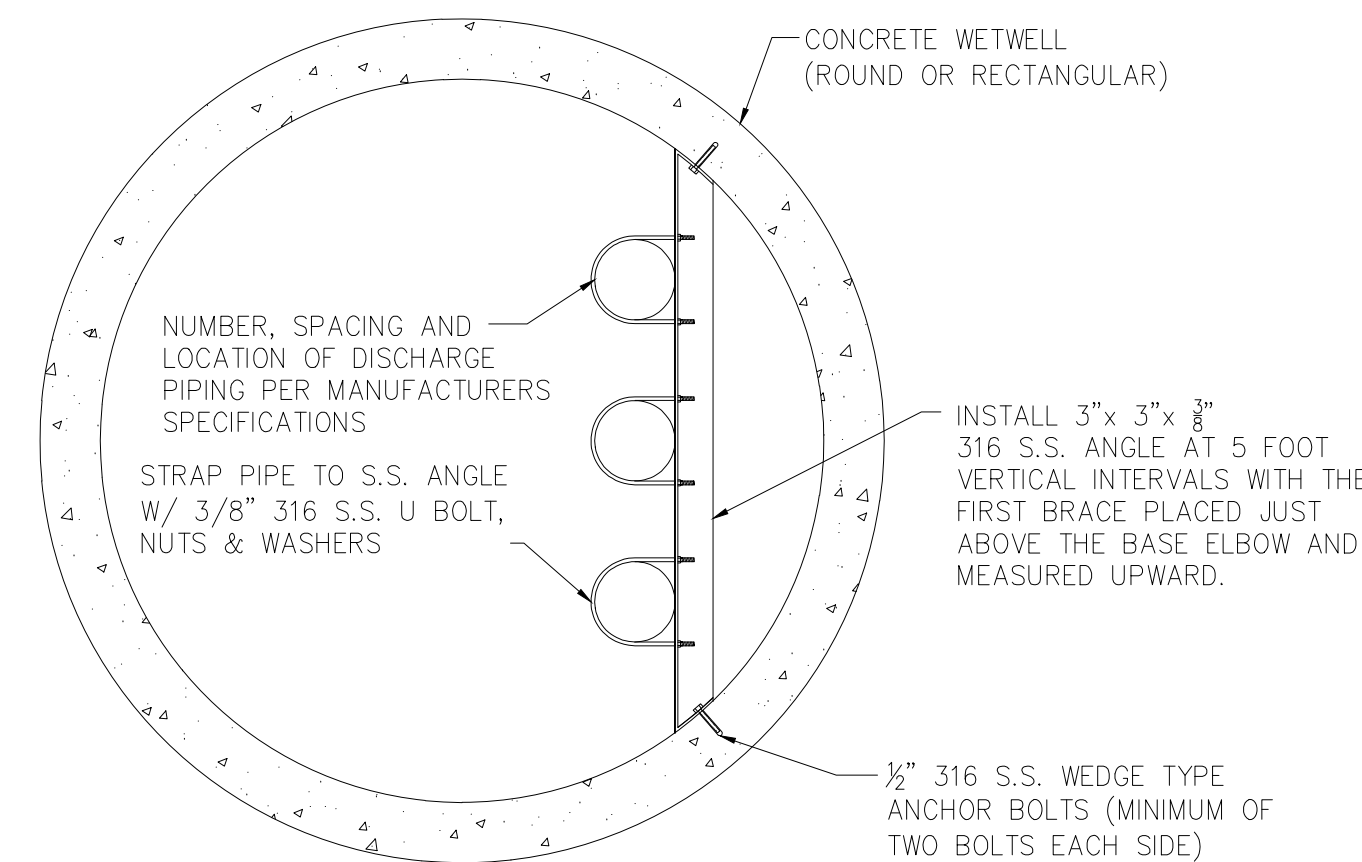


SECTION VIEW

BASE PLATE NOTES:

- 1) PLATE ANCHORS TO BE 3/4" DIAMETER, CONSTRUCTED OF 316 S.S. (H.A.S. ROD) w/ "HVA" ADHESIVE CAPSULE PROVIDING AN EMBEDMENT DEPTH OF 6 5/8". ACCEPTABLE: HILTI OR APPROVED EQUAL.
- 2) NO EXPANSION ANCHORS ALLOWED
- 3) PLATE SIZE: 6" LARGER THAN BASE ELL & PUMP VOLUTE TYP. ALL AROUND
- 4) BASE ELL BOLTS AND STUDS TO BE TYPE 316 STAINLESS STEEL.
- 5) BASE ELL BOLT HEADS SHALL BE WELDED TO UNDER SIDE OF STEEL PLATE.

SUBMERSIBLE PUMP BASE PLATE DETAIL
N.T.S.



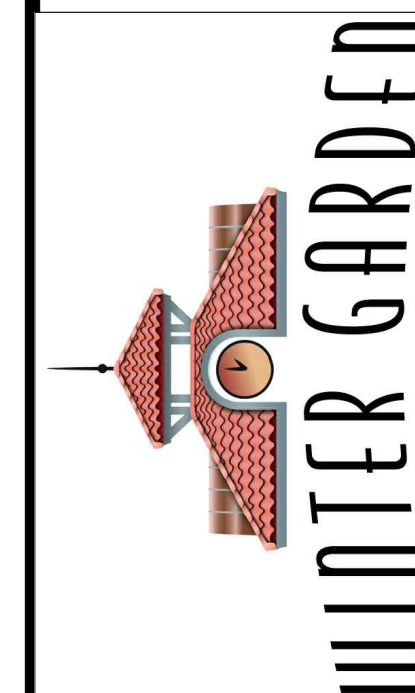
PIPE BRACING DETAIL
N.T.S.

WINTER GARDEN STANDARDS INCORPORATED WITH DESIGN ENGINEERS DOCUMENTS:

THE DETAILS, NOTES AND SPECIFICATIONS SHOWN ON THIS SHEET REPRESENT THE NOTED STANDARDS OF THE CITY OF WINTER GARDEN FOR CONSTRUCTION OF PUBLIC WORKS AND UTILITY INFRASTRUCTURE. BY INCLUDING THE STANDARDS, THE DESIGN ENGINEER HAS ACKNOWLEDGED THAT THEY ARE EFFECTIVE TO THE PROJECT AND THAT DETAILS, NOTES, OR SPECIFICATIONS ARE AS PROVIDED BY THE CITY AND HAVE NOT BEEN REVISED OR MODIFIED WITHOUT WRITTEN APPROVAL FROM THE CITY ENGINEER OR UTILITY DIRECTOR.

DATE	ITEM	DESCRIPTION
4/4/14 <td>1 <td>Added Equipment Note 12</td> </td>	1 <td>Added Equipment Note 12</td>	Added Equipment Note 12
9/21/17 <td>2</td> <td>Removed Bubbler Line</td>	2	Removed Bubbler Line

CITY OF WINTER GARDEN, FLORIDA
STANDARDS AND SPECIFICATIONS
For Utilities Construction



STANDARD DETAILS
FOR
LIFT STATION - DETAILS

DATE
JANUARY 2008

SHEET
5